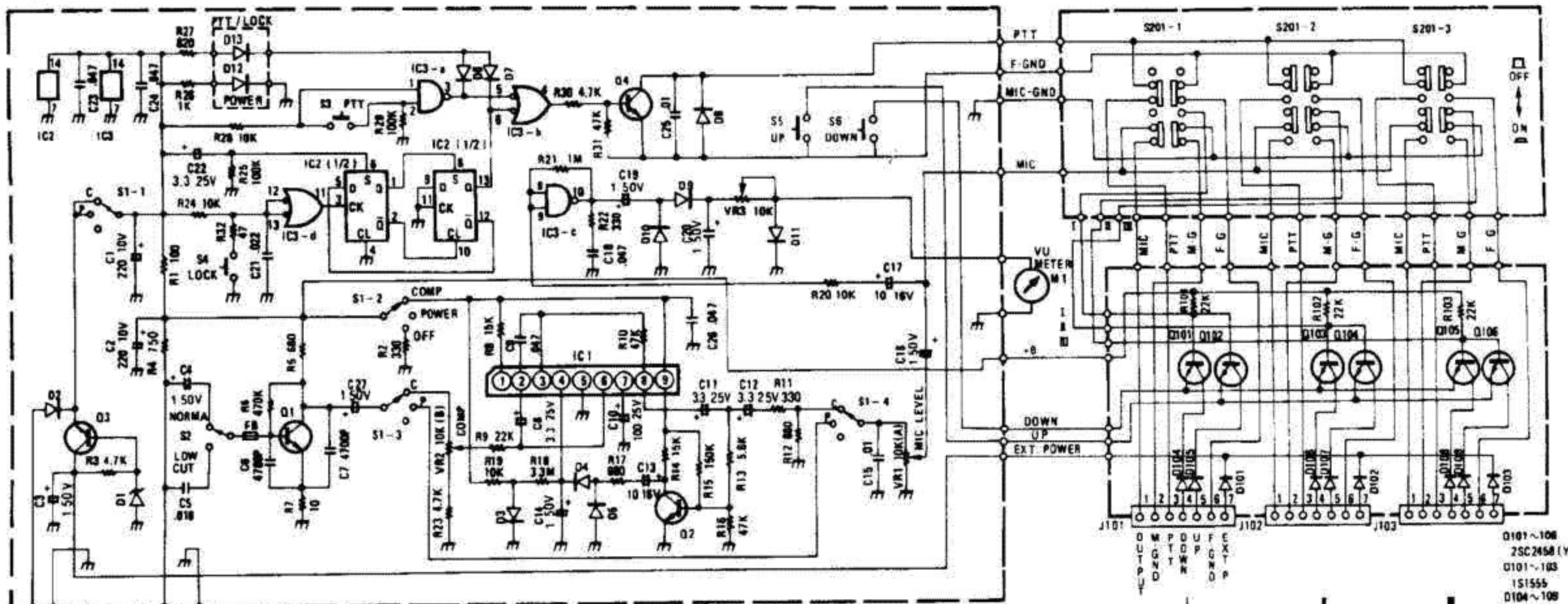


D1: 1N 4148  
D2-D3 : 1N 60  
Q1 : C 828  
Q2 : C 1815  
IC : LA 3210

#MIC COMPRESSOR LA3210#

\*DIG: HERU - KAMIS 9 SEPTEMBER 2010\*

# MC-85 SCHEMATIC DIAGRAM

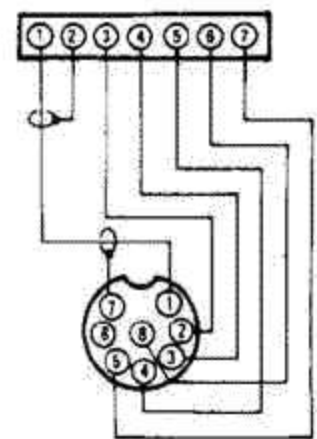


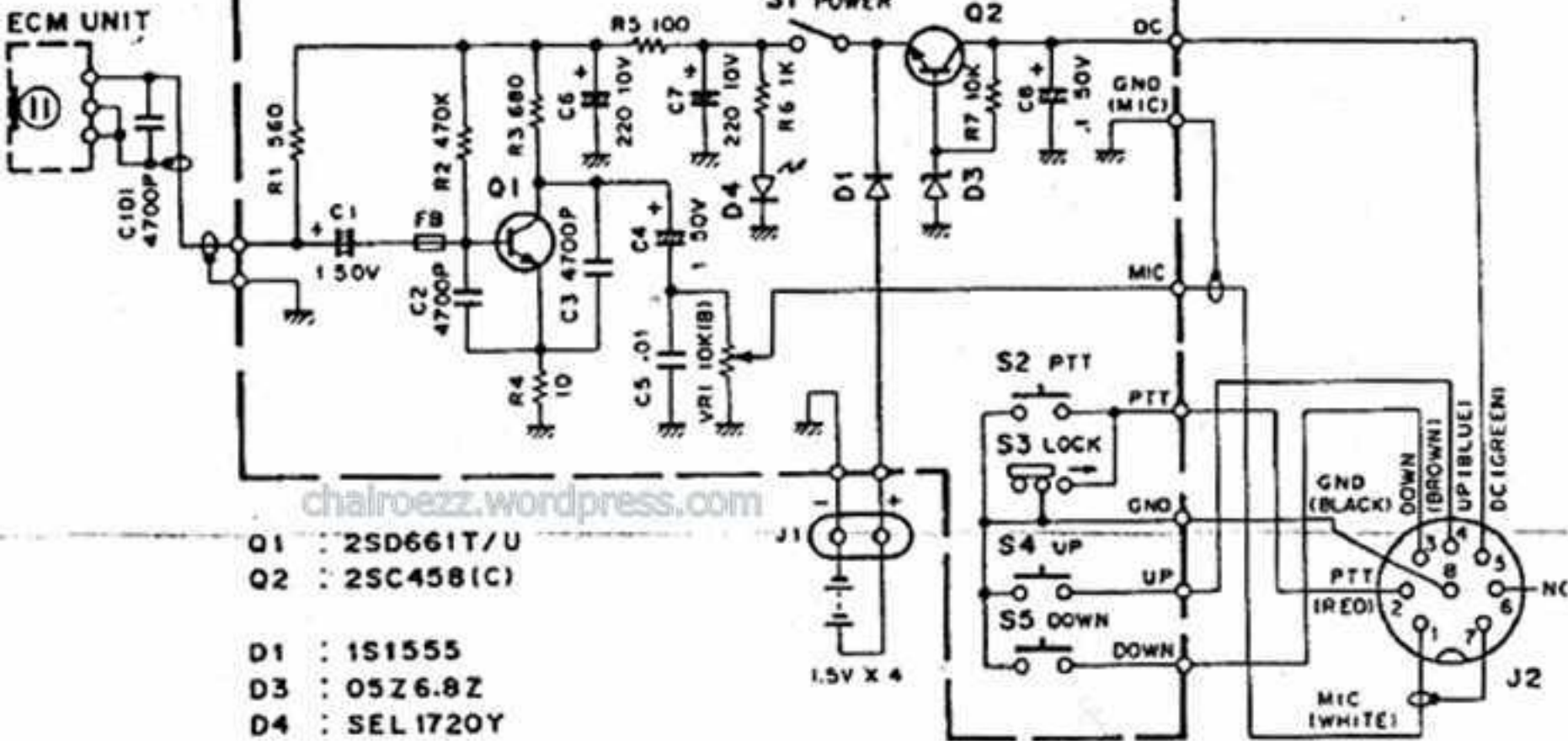
- |                   |                 |                  |
|-------------------|-----------------|------------------|
| D1 - 2SD881T/U    | IC1 - LA3210    | D1 - 06228.8Z    |
| D2 - 2SC1815 (Y)  | IC2 - TC4013BP  | D2, 4~8 - 1S1555 |
| D3 - 2SC458 (C)   | IC3 - HD14011BP | D3 - MV-13       |
| D4 - 2SC1827A (Y) |                 | D9~11 - 1S188AM  |
|                   |                 | D12 - SEL1720Y   |
|                   |                 | D13 - SEL1128R   |

- |                            |
|----------------------------|
| D101~106 - 2SC2458 (Y)     |
| D101~103 - 1S1555          |
| D104~106 - 1N60 or 1S188AM |

"AA" 1.5V x4

chairoezz.wordpress.com





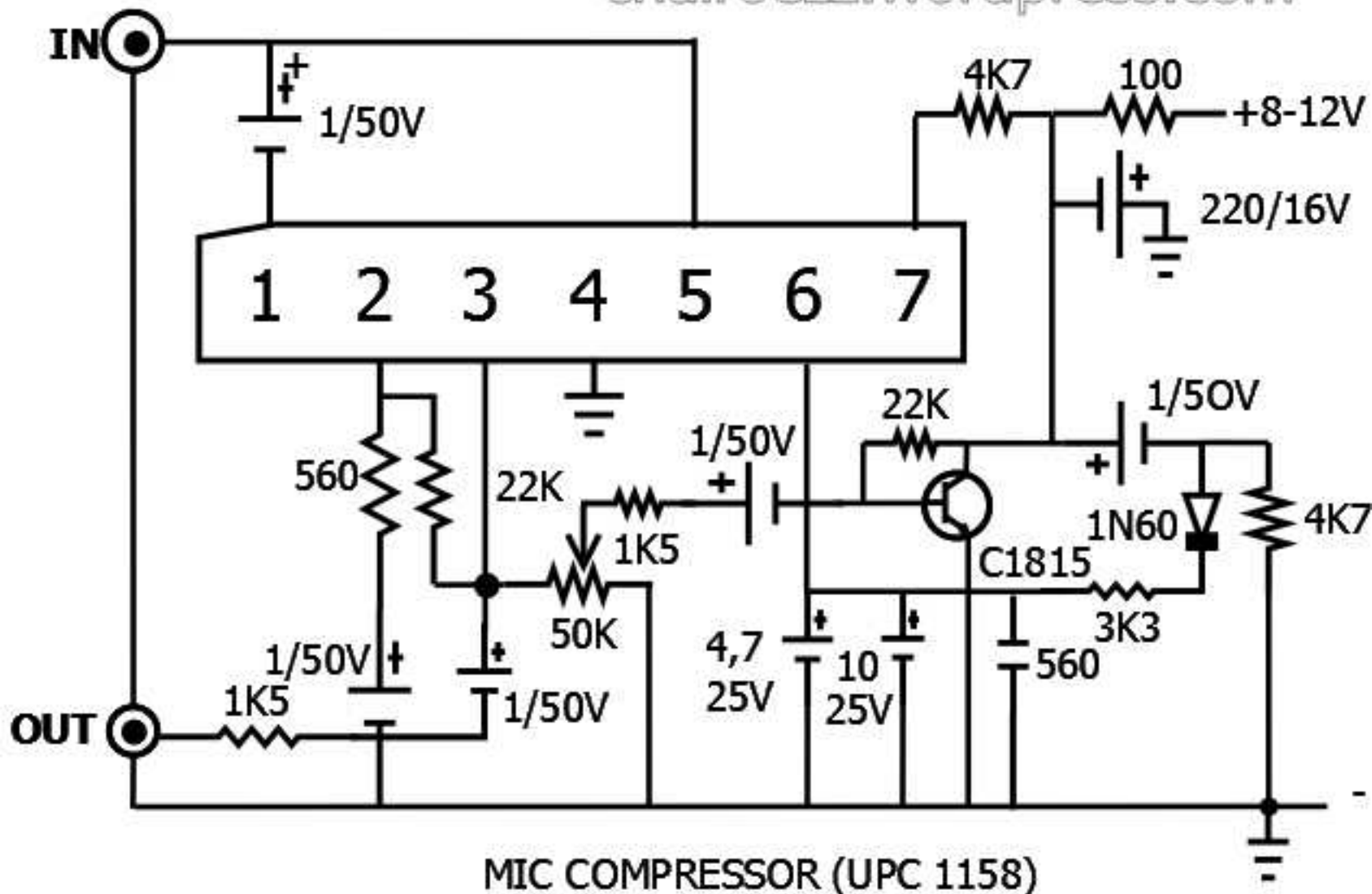
Q1 : 2SD661T/U

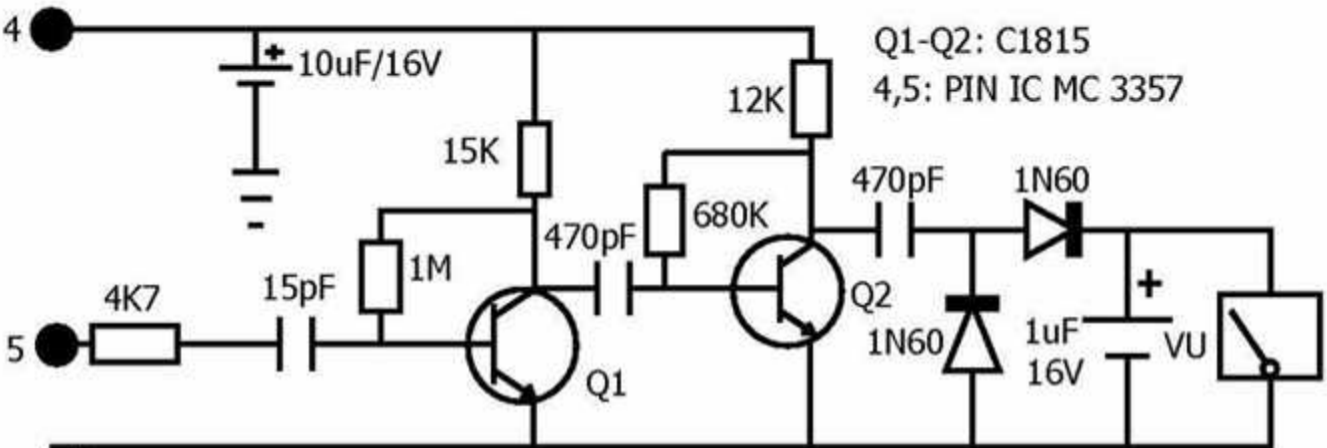
Q2 : 2SC458(C)

D1 : 1S1555

D3 : 05Z6.8Z

D4 : SEL1720Y

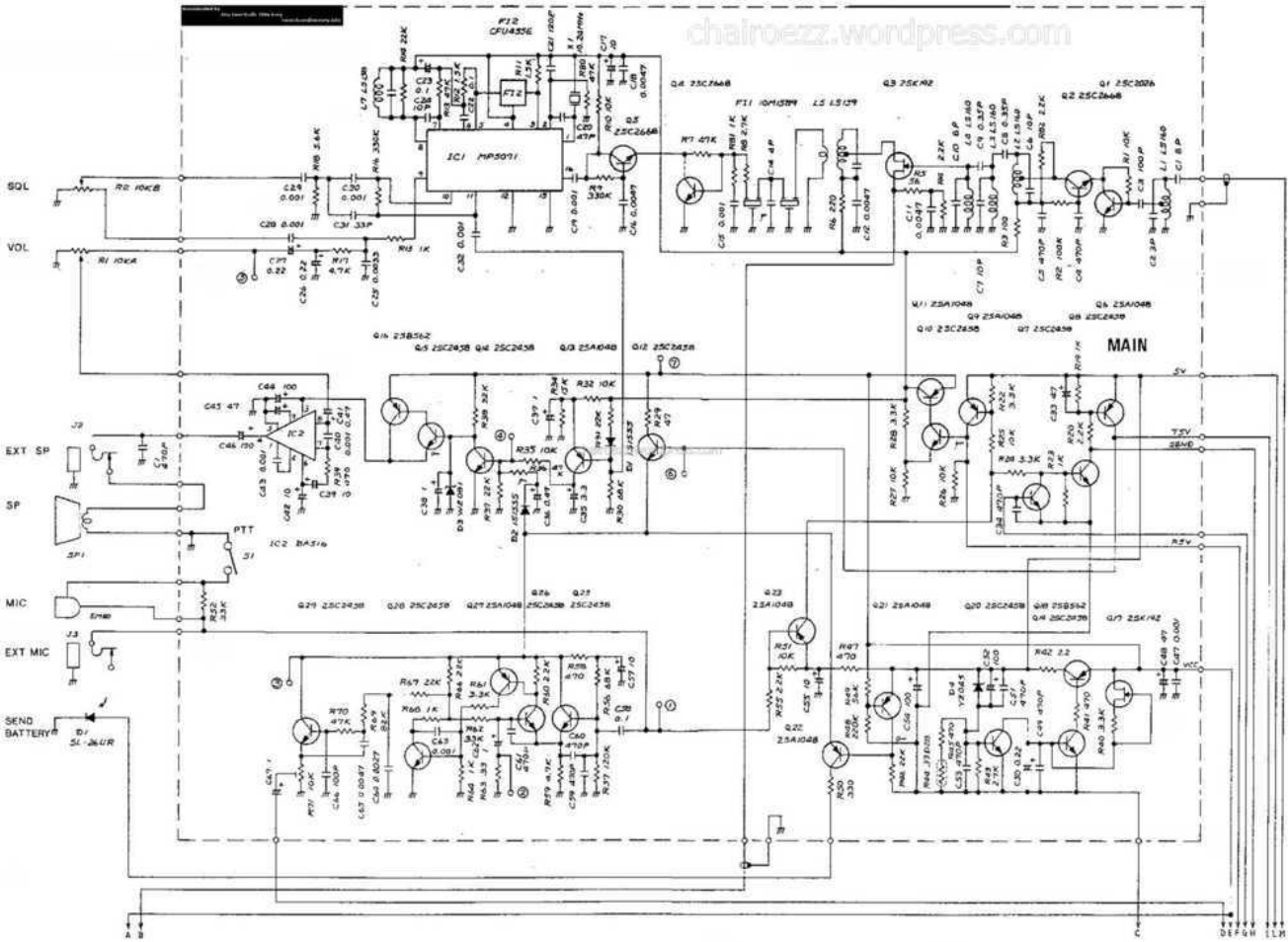


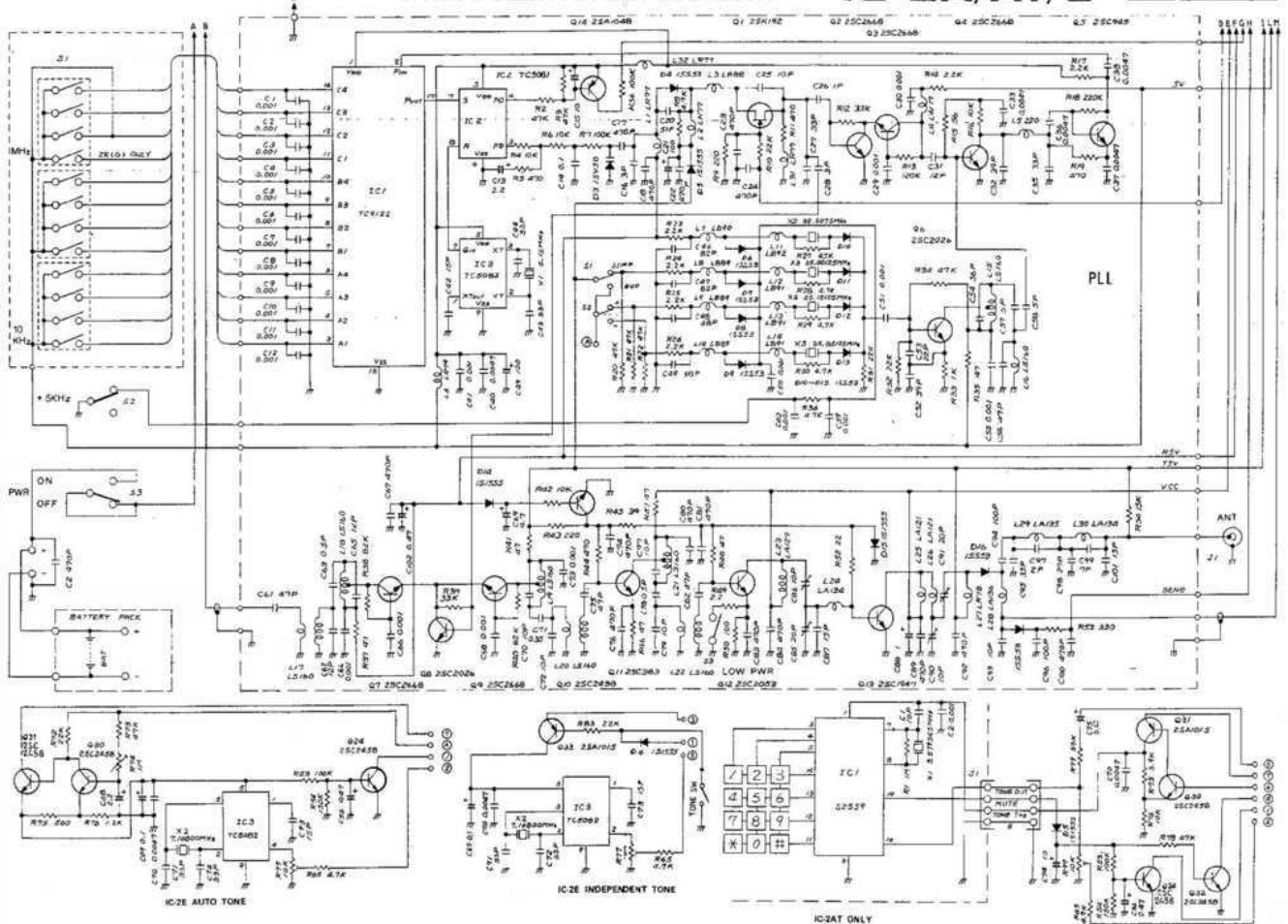


Q1-Q2: C1815  
4,5: PIN IC MC 3357

#Signal Meter 2N#  
[chairoezz.wordpress.com](http://chairoezz.wordpress.com) \*

chairoezz.wordpress.com

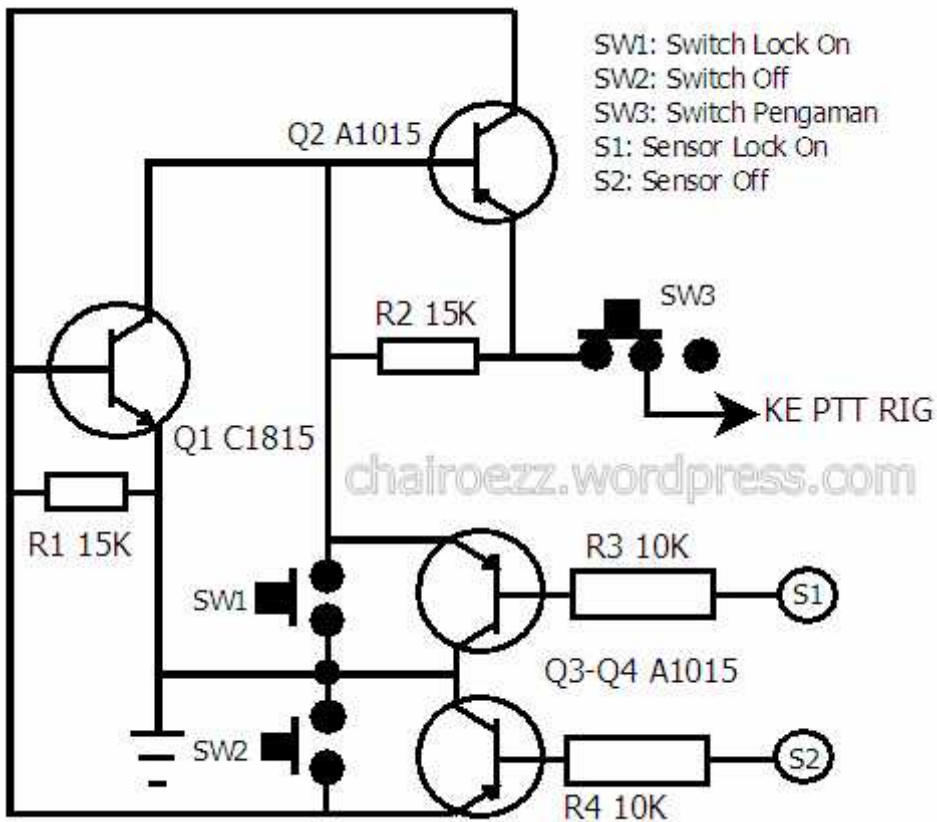




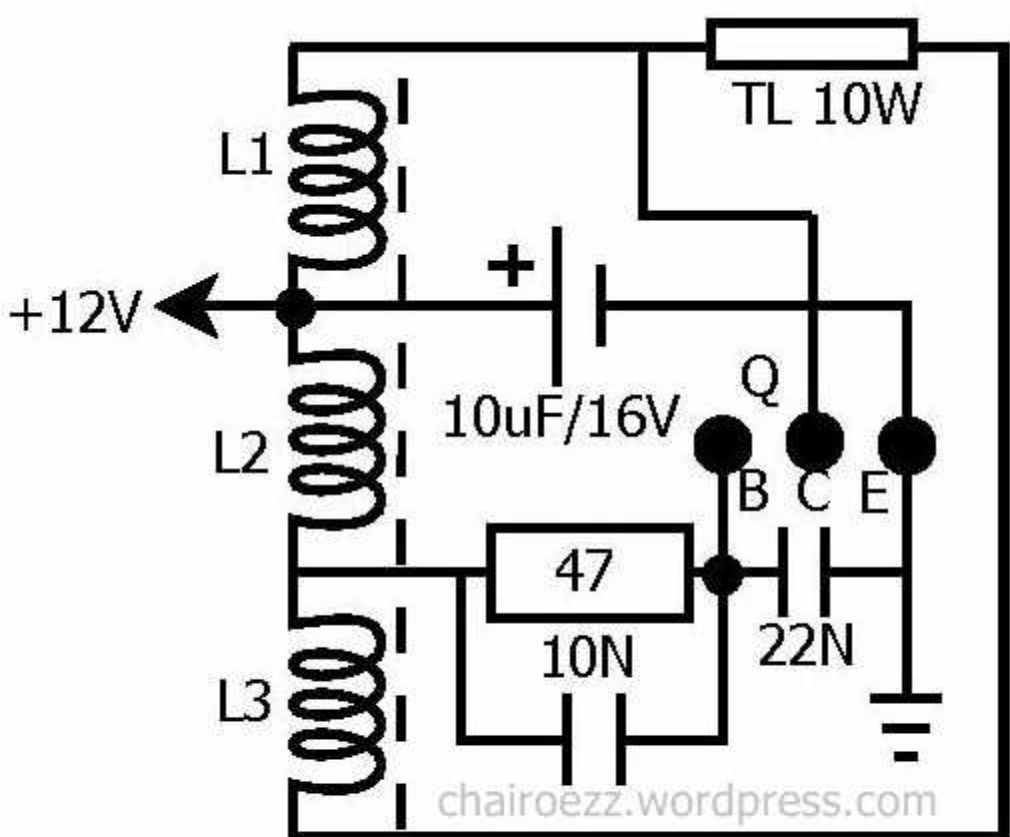
IC2E AUTO TONE

IC2E INDEPENDENT TONE

IC3AT ONLY



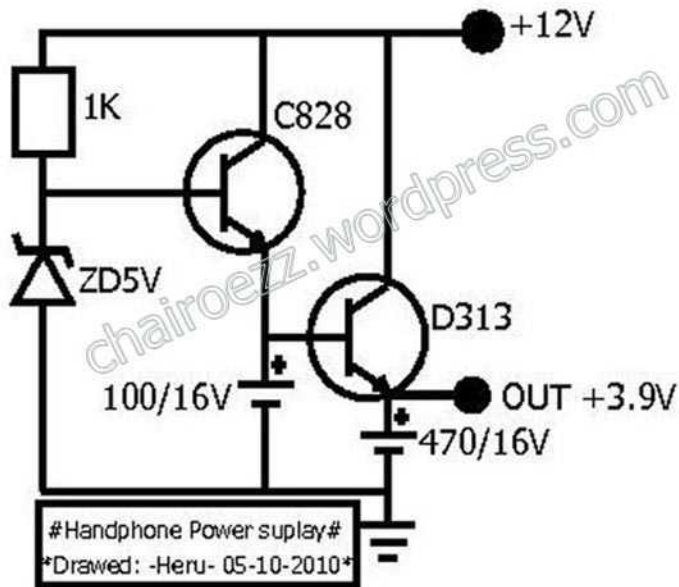


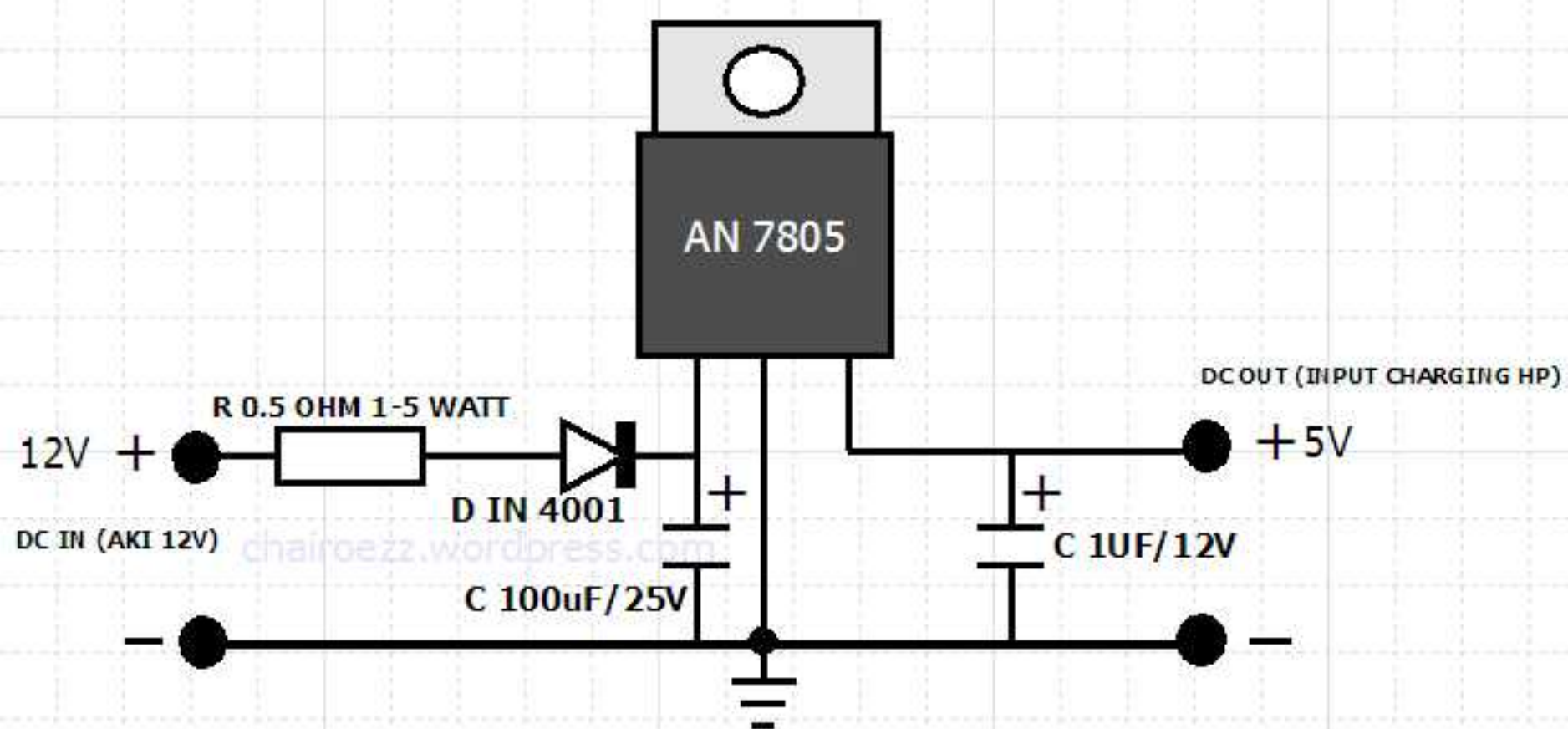


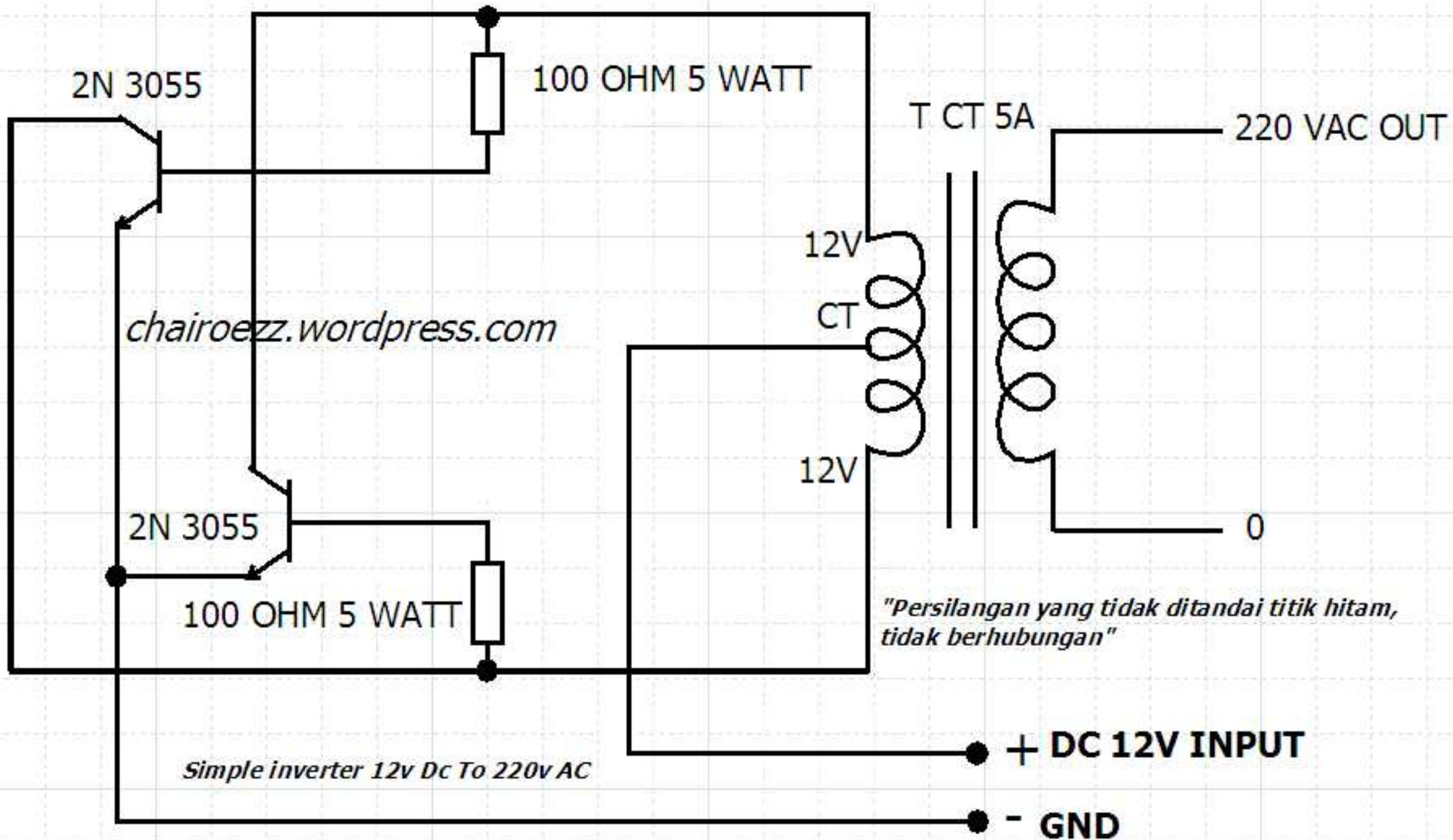
chairoezz.wordpress.com

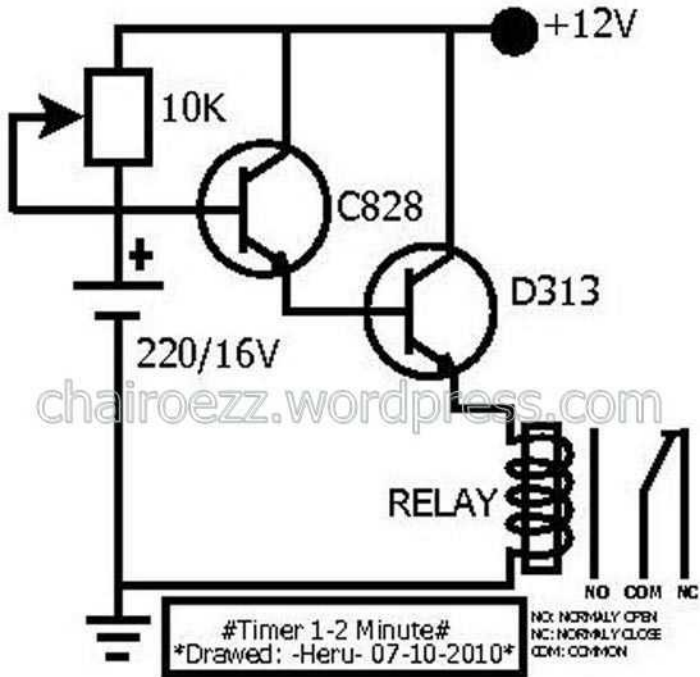
#Emergency Lamp 2#  
\*Dig: - Heru - 2 Oktober 2010\*

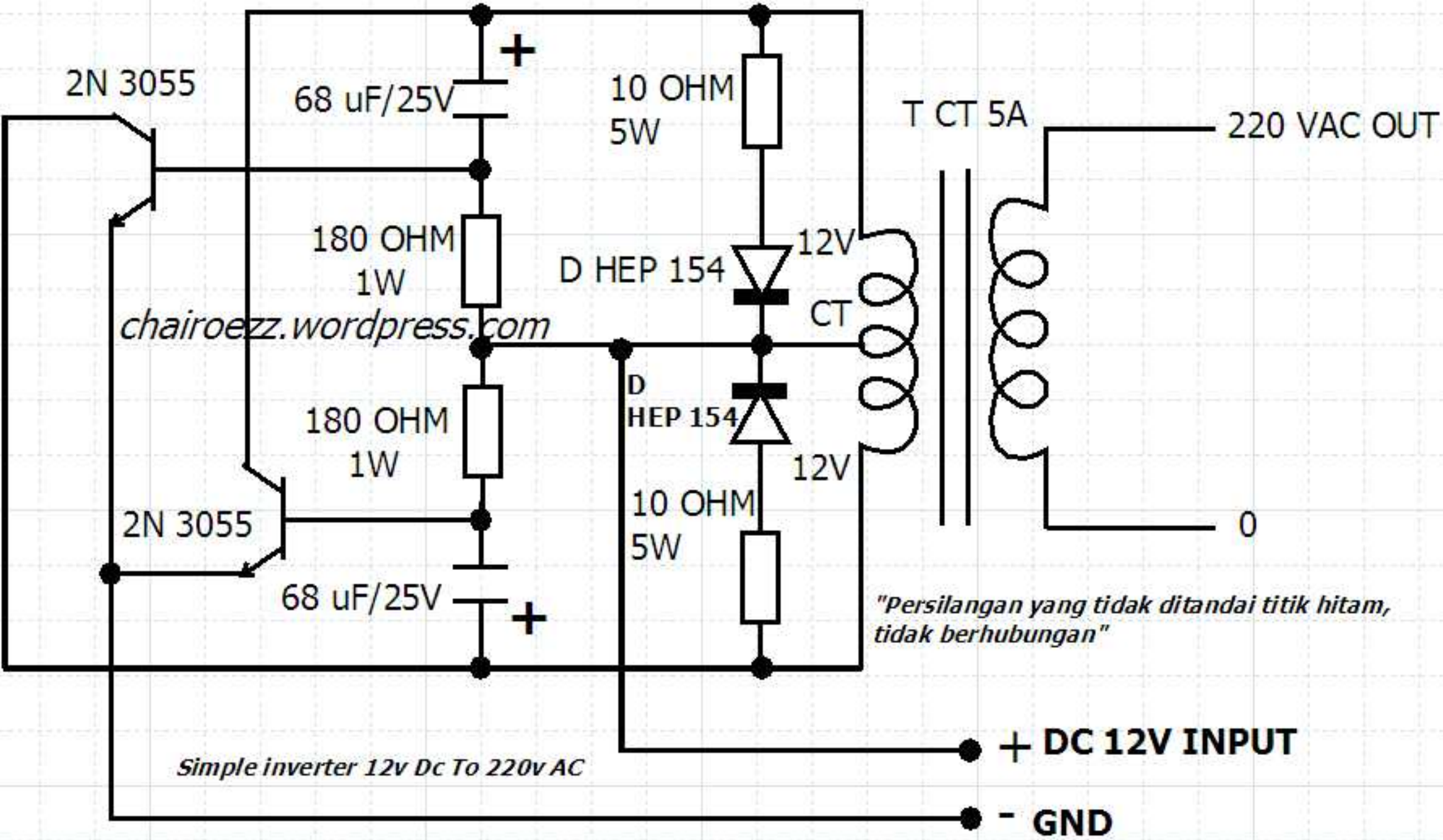
Q: D313  
L1,2,3: 50L  
(0,5mm)  
On Ferit

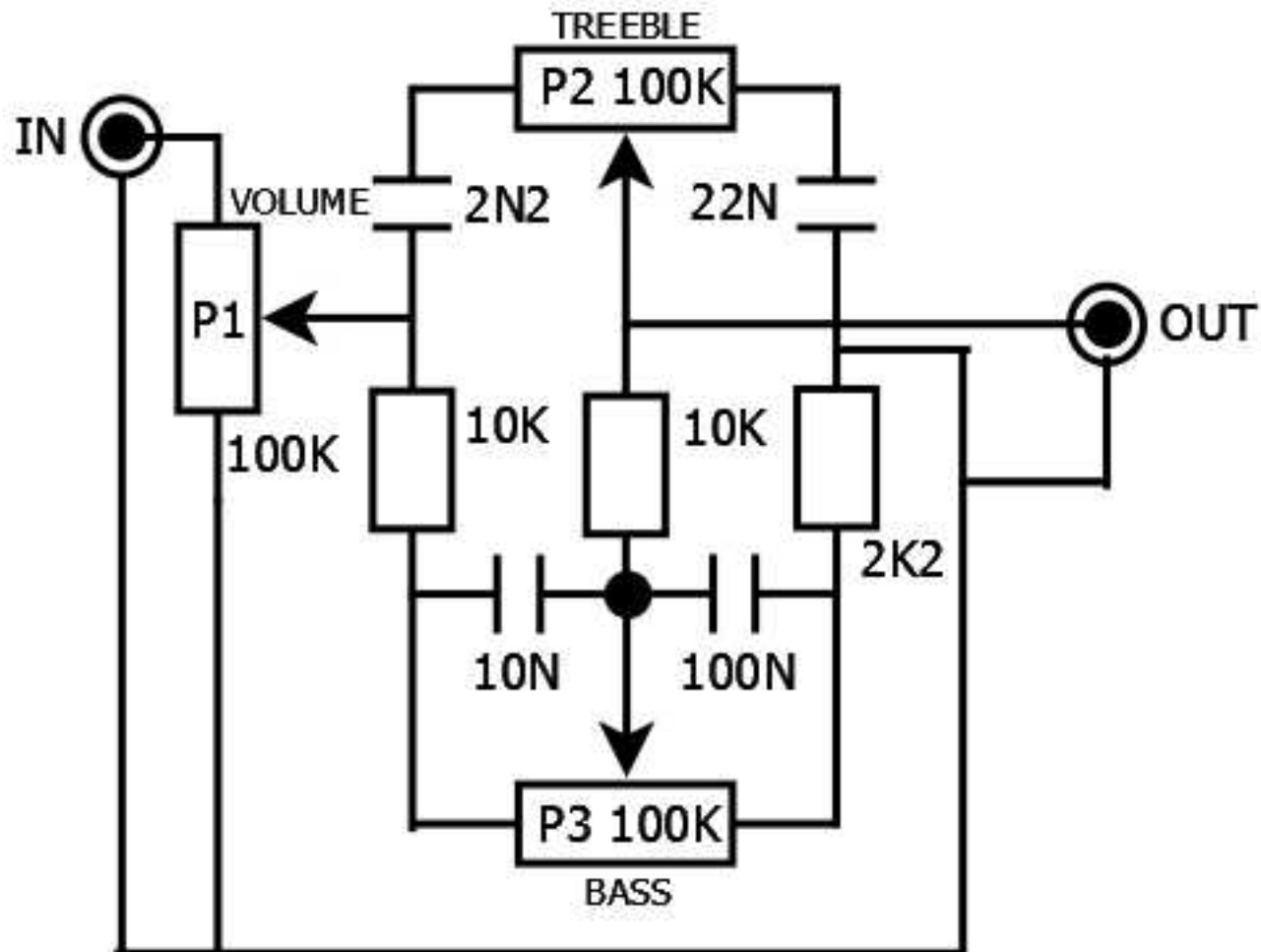






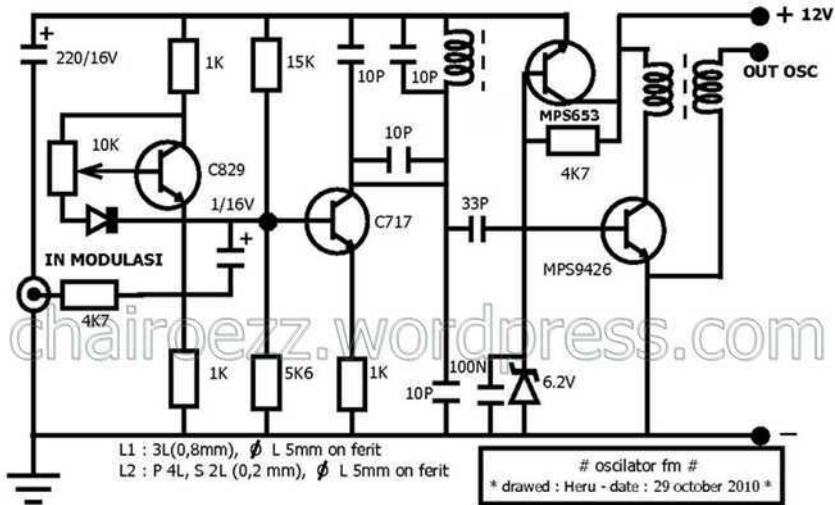






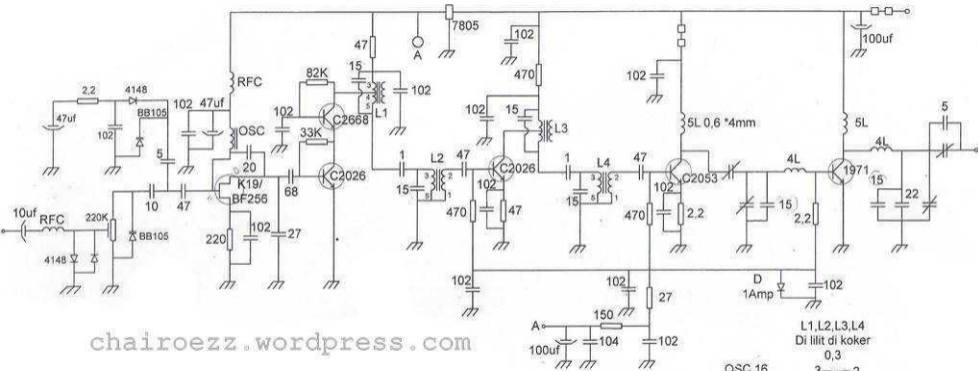
#Super Mini Tone Control#

\*drawed: -Heru- 07-10-2010\*





# OSC musen takada



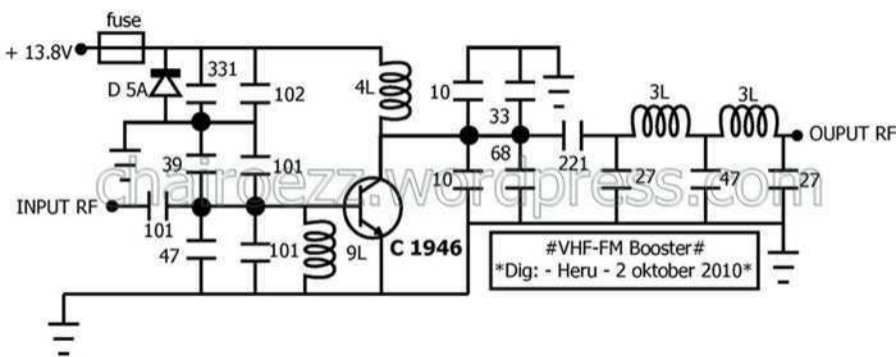
chairoezz.wordpress.com

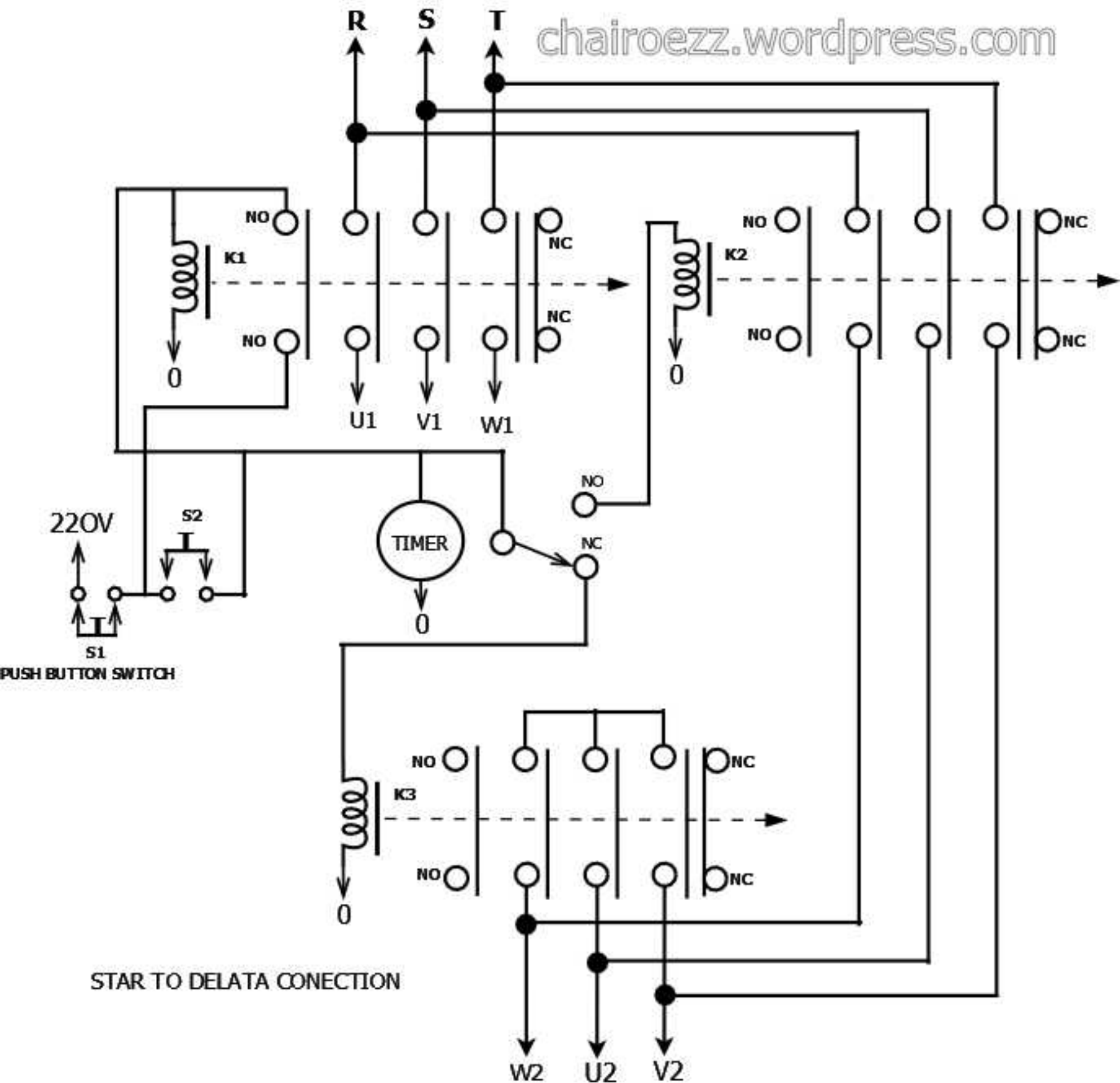
OSC 16  
lilit 0,2

L1,L2,L3,L4  
Di lilit di koker  
0,3  
  
 Cara melilit dari  
no urut 1

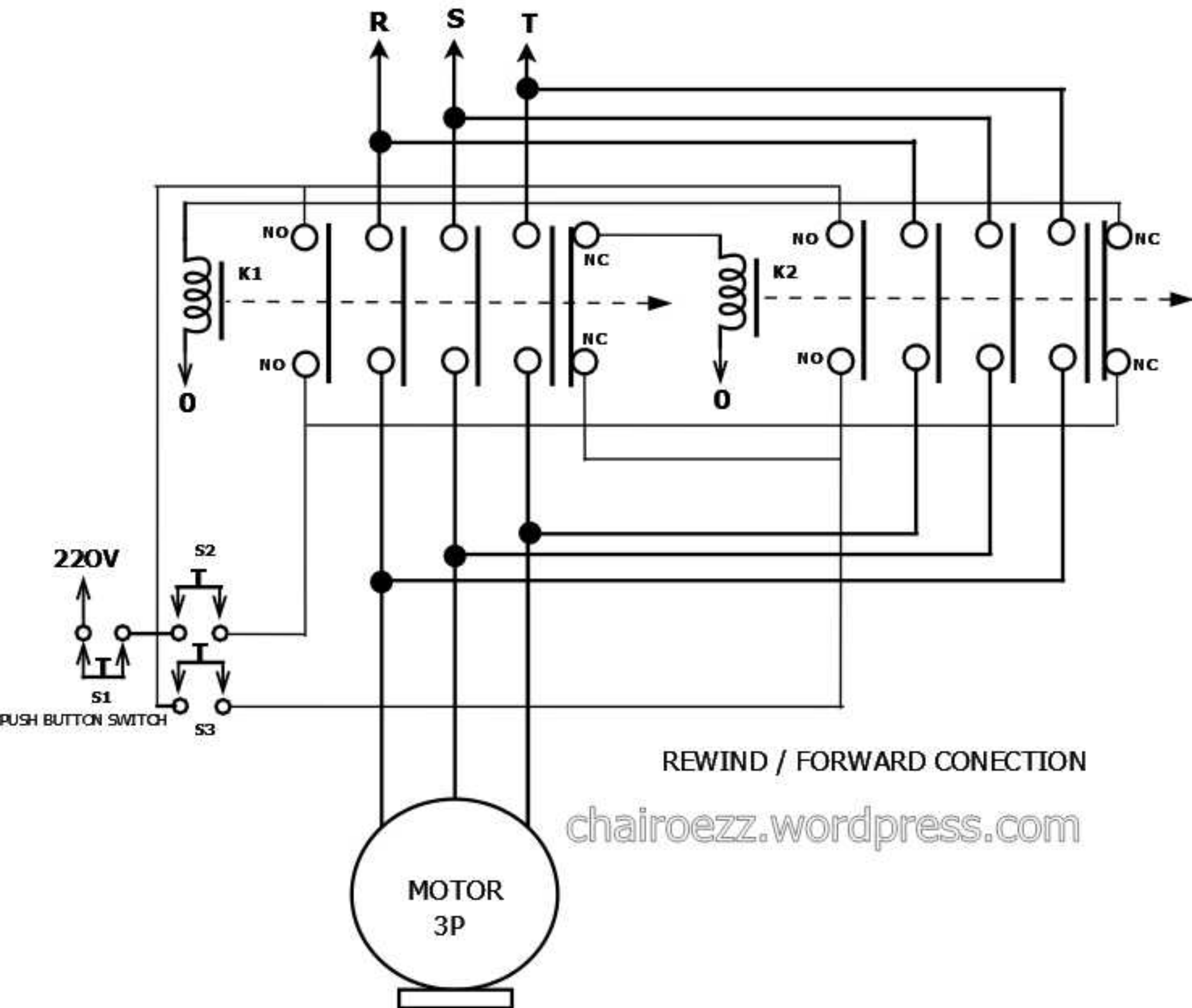


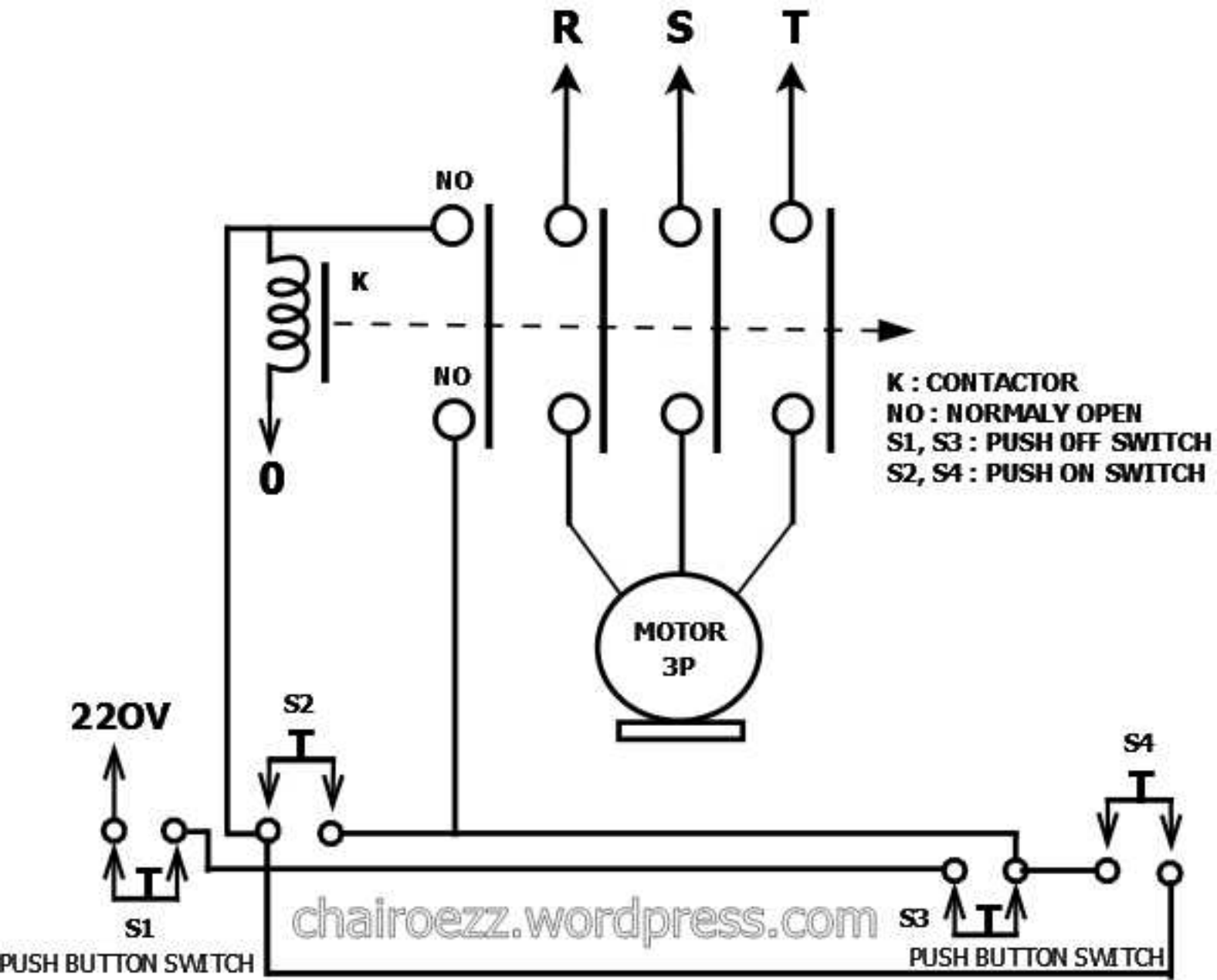
[chairoezz.wordpress.com](http://chairoezz.wordpress.com)





STAR TO DELATA CONECTION





# SCHEMATIC DIAGRAM #